



DATA SHEET STEAM TRAP THERMOSTATIC PTH



Simple and robust, the PTH steam trap is an excellent solution for purging condensate in small equipment up to 42 bar pressure. The thermostatic activation occurs through a bimetallic device that guarantees efficiency and durability.

OPERATION CONDITIONS:

- » Maximum operating pressure: 42 bar @ 252°C;
- » Maximum temperature: 450°C.

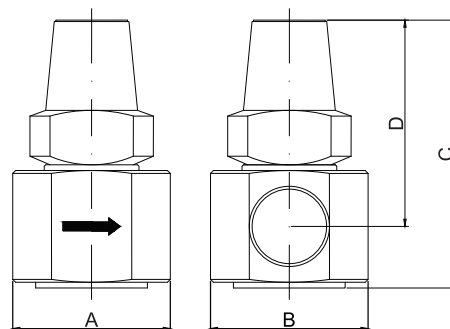
DIAMETERS AND CONNECTIONS:

- » 1/2", 3/4" and 1";
- » BSP and NPT thread.

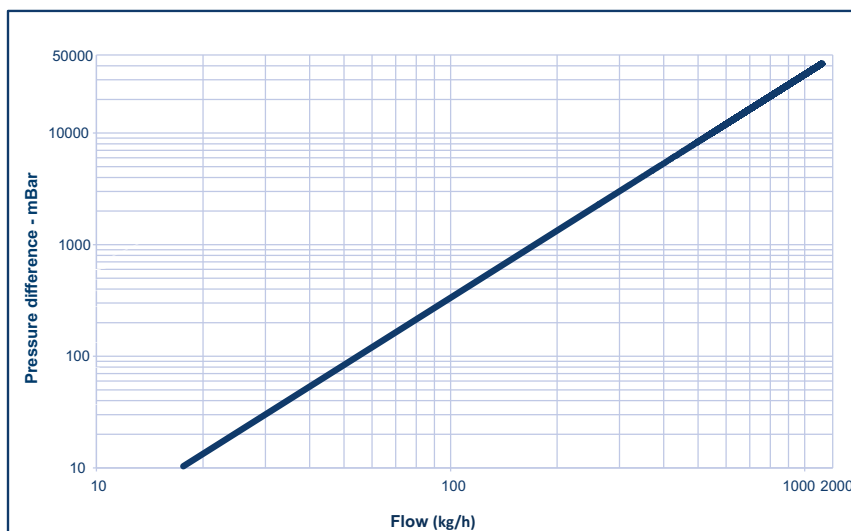


MEASURES:

DN	A	B	C	D	WEIGHT (KG)
1/2"	56	56	90	71	0,9
3/4"	56	56	90	71	0,9
1"	66	66	98	80	1,6



FLOW CAPACITY





DATA SHEET STEAM TRAP THERMOSTATIC PTH



MATERIAL:

ITEM	DESCRIPTION	MATERIAL
1	Cap	Stainless steel AISI 420
2	Bimetallic valve	Bimetallic element GB14
3	Strainer	Stainless steel AISI 304 05 mm
4	Body	Stainless steel AISI 420

